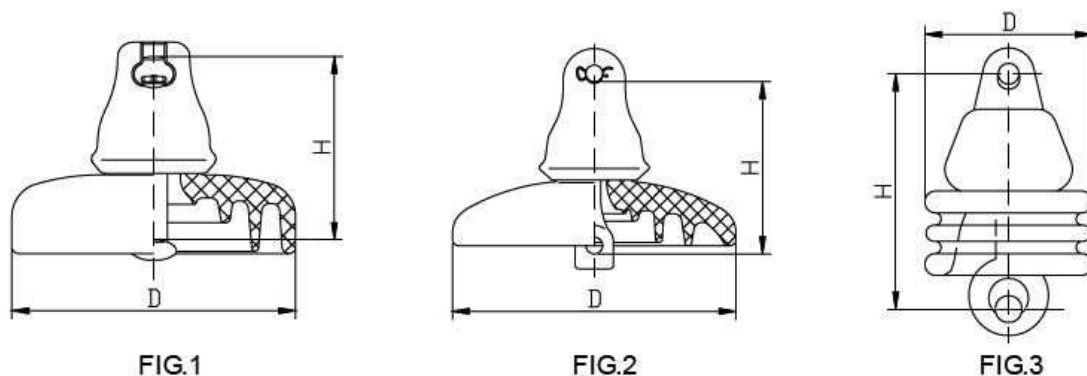




Porcelain Disc Suspension Insulator

The porcelain disc suspension insulator is designed to be assembled together to be insulator strings (also called strain insulators), which can divide into Ball & Socket and Clevis & Tongue types. Both Grey and brown color can be supplied.

Porcelain Disc Suspension Insulator (ANSI Type)

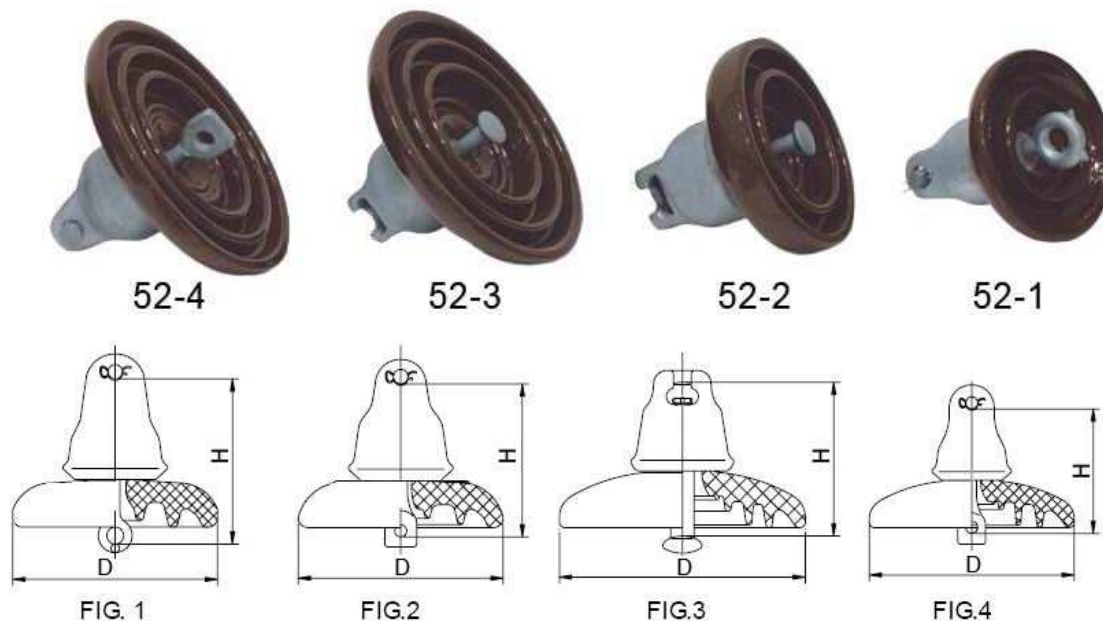


ANSI Class		52-6	52-8	52-10	52-9A
Catalogue No.		W52-6	W52-8	W52-10	W52-9A
Figure No.		2	1	2	3
Section Height - H (mm)		146	146	146	159
Disc Diameter – D (mm)		255	255	255	108
Leakage Distance (mm)		279	279	279	171
Dry Arc Distance (mm)		197	197	197	-
Combined E&M Strength; kN		111	160	160	44
Tension Proof Test load; kN		55.5	80	80	22
Impact Strength; N.m		7.0	10	10	5.0
Power Frequency Flashover Voltage; kV	Dry	50	50	50	30
	Wet	80	80	80	60
Critical Impulse Flashover Voltage; kV	Pos.	125	125	125	60
	Neg.	130	130	130	90
Low Frequency Puncture Voltage-KV		110	110	110	80
Radio Influence Voltage	Test Voltage Ground kV	10	10	10	7.5
	Max. RIV at 1000kHz V	50	50	50	50
Weight; kg		5.6	6.7	6.7	2.5

Grey, Brown or White color is available upon request.



Porcelain Disc Suspension Insulator (ANSI Type)

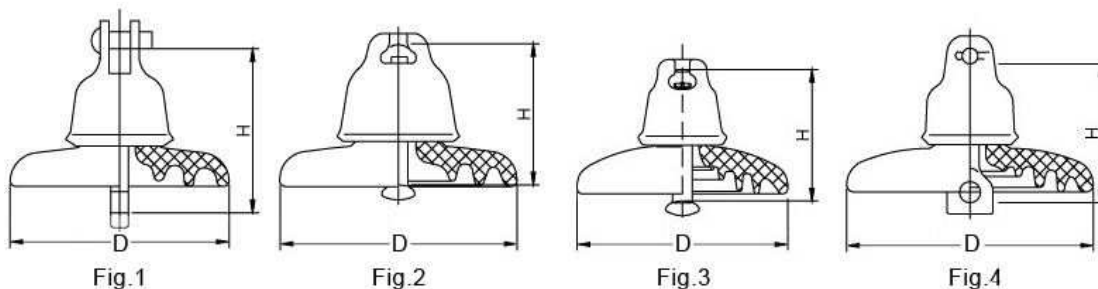


ANSI Class		52-1	52-2	52-3	52-4	52-5
Catalogue No.		W52-1	W52-2	W52-3	W52-4	W52-5
Figure No.		1	2	3	4	3
Section Height - H (mm)		140	146	146	146	146
Disc Diameter – D (mm)		160	200	255	255	255
Leakage Distance (mm)		178	210	292	292	279
Dry Arc Distance (mm)		114	154	197	197	197
Combined E&M Strength; kN		44	67	67	67	111
Tension Proof Test load; kN		22	33.5	33.5	33.5	55.5
Impact Strength; N.m		5.0	5.5	6	6	7
Power Frequency Flashover Voltage; kV	Dry	30	35	50	50	50
	Wet	60	65	80	80	80
Critical Impulse Flashover Voltage; kV	Pos.	100	115	125	125	125
	Neg.	100	115	130	130	130
Low Frequency Puncture Voltage-KV		80	90	110	110	110
Radio Influence Voltage	Test Voltage Ground kV	7.5	7.5	10	10	10
	Max. RIV at 1000kHz V	50	50	50	50	50
Weight; kg		2.5	3.6	4.6	4.9	5.6

Grey, Brown or White color is available upon request.



Porcelain Disc Suspension Insulator (IEC Normal Type)

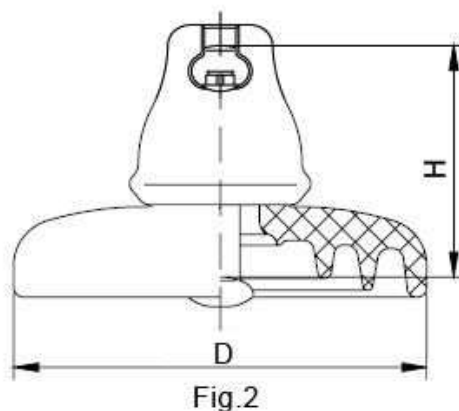
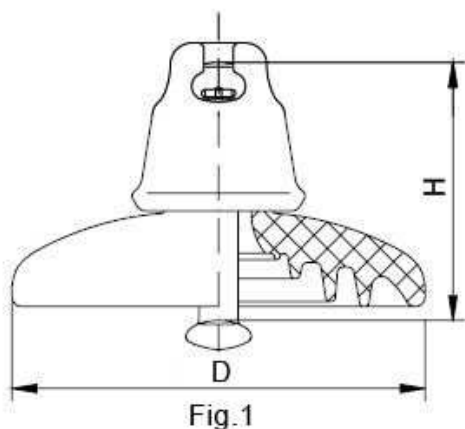


Class		U40B	U40C	U70C	U70BL	U70BS
Catalogue No.		WU40B	WU40C	WU70C	WU70BL	WU70BS
Figure No.		2	1	4	3	3
Section Height - H (mm)		110	140	146	146	127
Disc Diameter - D (mm)		175	190	255	255	255
Coupling Size		11	-	16C	16A/16B	16A
Leakage Distance (mm)		185	200	295	320	295
Rated E&M Failure Load; kN		40	40	70	70	70
Routine Tensile Load; kN		20	20	35	35	35
Impact Strength; N.m		5	5	6	6	6
Power Frequency Flashover Voltage; kV	Dry	30	30	40	40	40
	Wet	55	55	70	70	70
Dry Lightning Impulse Withstand Voltage; kV		75	75	110	110	110
Low Frequency Puncture Voltage-KV		90	90	110	110	110
Radio Influence Voltage	Test Voltage Ground kV	7.5	7.5	10	10	10
	Max. RIV at 1000kHz V	50	50	50	50	50
Weight; kg		2.4	2.4	4.7	5.0	4.7

Grey, Brown or White color is available upon request.



Porcelain Disc Suspension Insulator (IEC Normal Type)



Class	U80BL	U80BS	U100BL	U100BL2	U120B
Catalogue No.	WU80BL	WU80BS	WU100BL	WU100BL2	WU120B
Figure No.	1	1	2	2	2
Section Height - H (mm)	146	140	146	146	146
Disc Diameter - D (mm)	255	255	255	280	255
Coupling Size	16A/B	16A/B	16A/B	16A/B	16A/B
Leakage Distance (mm)	295	295	295	340	320
Rated E&M Failure Load; kN	80	80	100	100	120
Routine Tensile Load; kN	40	40	50	50	60
Impact Strength; N.m	6	6	7	7	7
Power Frequency Flashover Voltage; kV	Dry	40	40	40	40
	Wet	70	70	70	70
Dry Lightning Impulse Withstand Voltage; kV	110	110	110	110	110
Low Frequency Puncture Voltage-KV	110	110	110	110	110
Radio Influence Voltage	Test Voltage Ground kV	10	10	10	10
	Max. RIV at 1000kHz V	50	50	50	50
Weight; kg	5.4	5.2	5.7	6.2	5.8

Grey, Brown or White color is available upon request.



Porcelain Disc Suspension Insulator (IEC Normal Type)

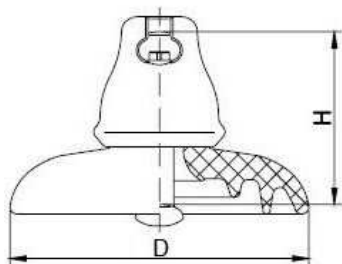


Fig.1

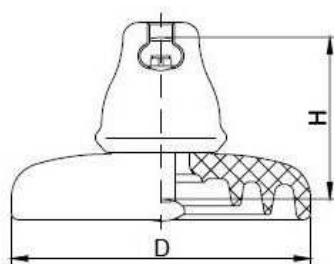


Fig.2

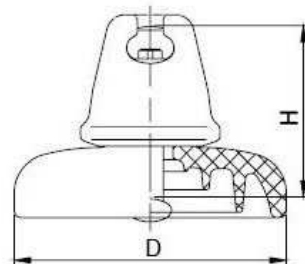


Fig.3

Class		U160BL	U160BS	U160BS2	U160BL	U160BL
Catalogue No.		WU160BL	WU160BS	WU160BS2	WU160BL1	WU160BL2
Figure No.		1	1	1	2	3
Section Height - H (mm)		255	255	280	300	255
Coupling Size		20	20	20	20	20
Leakage Distance (mm)		305	320	315	400	390
Rated E&M Failure Load; kN		160	160	160	160	160
Routine Tensile Load; kN		80	80	80	80	80
Impact Strength; N.m		10	10	10	10	10
Power Frequency Flashover Voltage; kV	Wet	40	40	45	45	40
	Dry	70	70	75	75	70
Dry Lightning Impulse Withstand Voltage; kV		110	110	110	110	110
Low Frequency Puncture Voltage-KV		110	110	110	110	110
Radio Influence Voltage	Test Voltage Ground kV	10	10	10	10	10
	Max. RIV at 1000kHz V	50	50	50	50	50
Weight; kg		7.0	7.2	7.6	8.3	7.6

Grey, Brown or White color is available upon request.

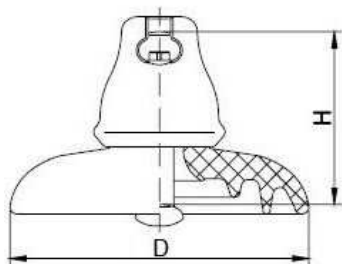
**Porcelain Disc Suspension Insulator (IEC Normal Type)**

Fig.1

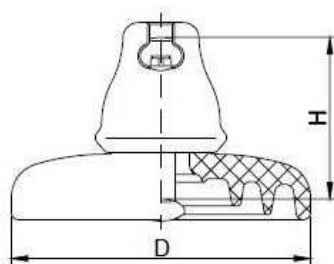


Fig.2

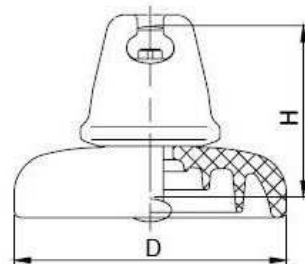


Fig.3

Class		U210B	U210B	U210B
Catalogue No.		WU210B1	WU210B2	WU210B3
Figure No.		1/2	2	1
Section Height - H (mm)		170	170	170
Disc Diameter – D (mm)		280	300	300
Coupling Size		20/24	20/24	20
Leakage Distance (mm)		335/380	370/400	330
Rated E&M Failure Load; kN		210	210	210
Routine Tensile Load; kN		105	105	105
Impact Strength; N.m		10	10	10
Power Frequency Flashover Voltage; kV	Wet	40/42	42	40
	Dry	70/75	75	70
Dry Lightning Impulse Withstand Voltage; kV		105	110	105
Low Frequency Puncture Voltage-KV		120	120	120
Radio Influence Voltage	Test Voltage Ground kV	10	10	10
	Max. RIV at 1000kHz V	50	50	50
Weight; kg		9.5/10.8	11	10.6

Grey, Brown or White color is available upon request.

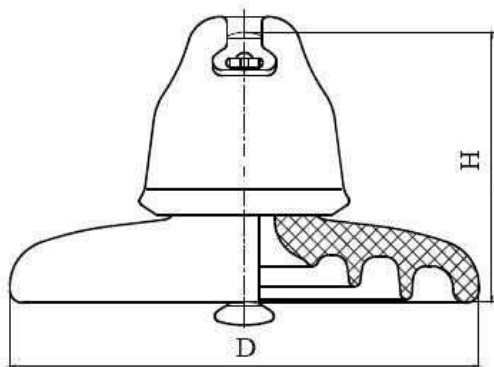
**Porcelain Disc Suspension Insulator (IEC Normal Type)**

Fig 1

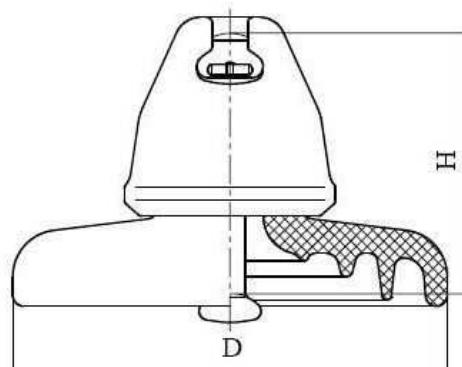


Fig 2

Class	U240B	U300B	U400B	U530B	
Catalogue No.	WU240B	WU300B	WU400B	WU530B	
Figure No.	1	1	2	2	
Section Height - H (mm)	170	195	205	240	
Disc Diameter – D (mm)	280	320	360	380	
Coupling Size	24	24	28	32	
Leakage Distance (mm)	405	370	525	600/700	
Rated E&M Failure Load; kN	240	300	400	530	
Routine Tensile Load; kN	120	150	200	265	
Impact Strength; N.m	10	10	10	10	
Power Frequency Flashover Voltage; kV	Wet	45	45	50	55
	Dry	75	75	90	95
Dry Lightning Impulse Withstand Voltage; kV	110	110	140	140	
Low Frequency Puncture Voltage-KV	120	120	130	140	
Radio Influence Voltage	Test Voltage Ground kV	10	10	10	10
	Max. RIV at 1000kHz V	50	50	50	50
Weight; kg	11.4	13.5	20.4	23.5/27	

Grey, Brown or White color is available upon request.



Porcelain Disc Suspension Insulator (IEC Anti-Pollution Type)

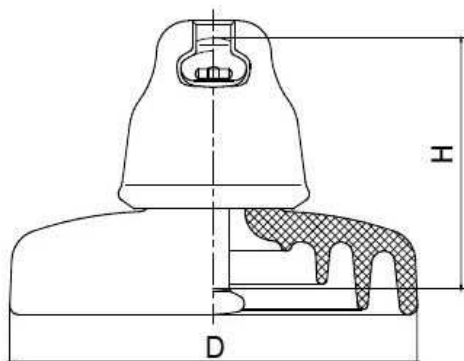


Fig 1

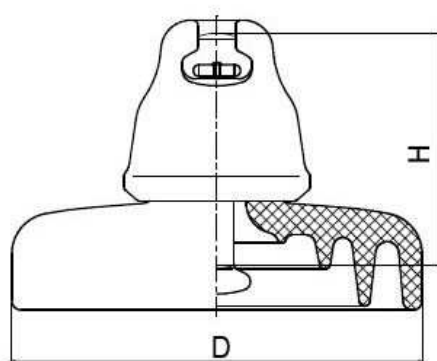


Fig 2

Class		U210B	U210BP	U240BP	U300B	U300BP
Catalogue No.		AU210B	AU210P	AU240BP	AU300B	AU300BP
Figure No.		1	2	1	1	2
Section Height - H (mm)		170	170	170	195	195
Disc Diameter – D (mm)		300	330	320	320	380
Coupling Size		20/24	20	24	24	24
Leakage Distance (mm)		450/470	550	550	485/505	690
Rated E&M Failure Load; kN		210	210	240	300	300
Routine Tensile Load; kN		105	105	120	150	150
Impact Strength; N.m		10	10	10	10	10
Power Frequency Flashover Voltage; kV	Wet	45	55	55	45	60
	Dry	80	90	90	80	100
Dry Lightning Impulse Withstand Voltage; kV		130	135	135	130	140
Low Frequency Puncture Voltage-KV		130	130	130	130	140
Radio Influence Voltage	Test Voltage Ground kV	10	10	10	10	10
	Max. RIV at 1000kHz V	50	50	50	50	50
Weight; kg		12.5	14.6	15.5	14.6	21.4

Grey, Brown or White color is available upon request.